



Sub-1GHz FSK&OOK RX Module

BM2502-6x-2

Revision: V1.00 Date: February 01, 2024

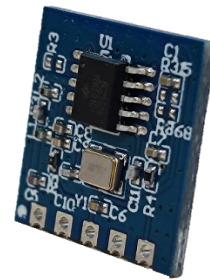
www.bestmodulescorp.com

Table of Contents

Features	3
General Description	3
Applications	3
Selection Table	4
Block Diagram	4
Pin Assignment	4
Pin Description	4
Technical Specifications	5
Absolute Maximum Ratings	5
D.C. Electrical Characteristics.....	5
RF Electrical Characteristics	5
Functional Description	6
Interface	6
I²C Communication Format	6
Application Circuits	7
I ² C Mode	7
AUTO Mode	7
Layout Description	8
PCB Footprint.....	8
Layout Guidelines	8
Layout Example	8
Dimensions	9
Reference Information	9
Modification History.....	9
Relevant Document.....	9
Buy Online.....	9

Features

- Operating voltage range: 2.4V~5.5V
- Frequency range: 315MHz~915MHz
- Modulation mode: FSK&OOK
- Symbol rate (OOK): 0.5Ksps~40Ksps
- Data rate (FSK): 1Kbps~50Kbps
- Standby current: 0.5 μ A(Typ.) @ 5V, deep sleep mode
- Operating current:
 - ◆ 4.7mA(Typ.) @ 5V, RX mode, 315MHz
 - ◆ 4.5mA(Typ.) @ 5V, RX mode, 433.92MHz
 - ◆ 5.8mA(Typ.) @ 5V, RX mode, 868.35MHz
 - ◆ 5.8mA(Typ.) @ 5V, RX mode, 915MHz
- Receiver sensitivity:
 - ◆ -109dBm @ 10Kbps(FSK), 315MHz
 - ◆ -111dBm @ 10Ksps(OOK), 315MHz
 - ◆ -108dBm @ 10Kbps(FSK), 433.92MHz
 - ◆ -110dBm @ 10Ksps(OOK), 433.92MHz
 - ◆ -104dBm @ 10Kbps(FSK), 868.35MHz
 - ◆ -108dBm @ 10Ksps(OOK), 868.35MHz
 - ◆ -102dBm @ 10Kbps(FSK), 915MHz
 - ◆ -108dBm @ 10Ksps(OOK), 915MHz
- Interface: 5-pin stamp hole & straight hole
- Size: 16.0mm(L) \times 15.0mm(W) \times 2.5mm(H)



General Description

The BM2502-6x-2 is a Sub-1GHz low-IF FSK&OOK receiver module designed based on the BC2502C/D device, which has ultra-low power, high performance and low-cost. The module supports wireless applications in the 315MHz, 433MHz, 470MHz, 868MHz and 915MHz frequency bands and can be easily accessed using a 2-wire interface similar to the I²C interface. The symbol rate ranges from 0.5Ksps to 40Ksps, and the data rate ranges from 1Kbps to 50Kbps. When the frequency band is 433.92MHz, the receiving sensitivity can reach -108dBm if the modulation mode is FSK, and -110dBm if the modulation method is OOK.

Applications

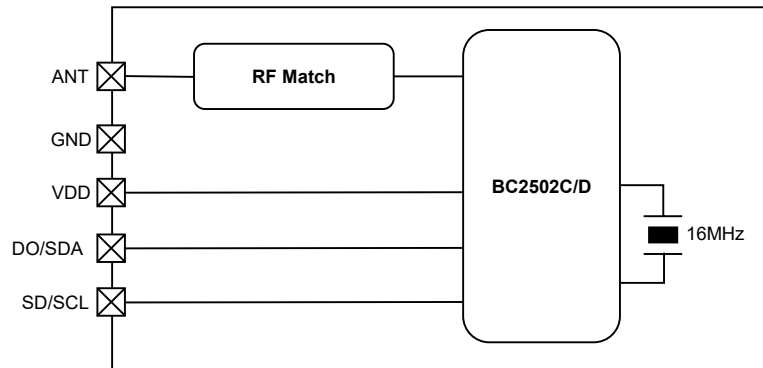
- Ceiling lamps
- Wireless switches
- Drying racks
- Wireless doorbells
- Integrated ceilings

Selection Table

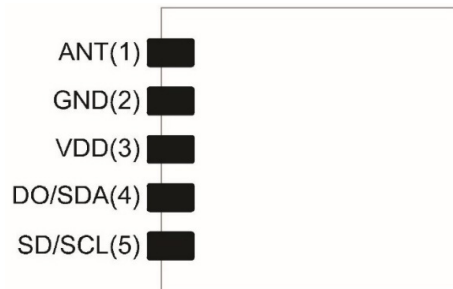
Part No.	Frequency Band	Optimal Operating Frequency Point	Supported Frequency Range
BM2502-63-2	315MHz	315MHZ	290MHz~349MHZ
BM2502-64-2	433MHz	433.92MHz	396.92MHz~471.92MHZ
BM2502-68-2	868MHz	868.35MHz	805.35MHz~918.35MHZ
BM2502-69-2	915MHz	915MHz	856MHZ~966MHZ

*The module feature cannot be fully guaranteed within the supported frequency range. It is recommended to use the optimal operating frequency point.

Block Diagram



Pin Assignment



Pin Description

Pin	Function	Type	Description
1	ANT	AI/O	Antenna interface
2	GND	PWR	Negative power supply, GND
3	VCC	PWR	Positive power supply
4	DO/SDA	O	DO: Demodulated data output in RX Mode
		I/O	SDA: I ² C data line in Configuration Mode
5	SD/SCL	I	SD: RX mode shut-down control, should be pulled low in RX Mode
		I	SCL: I ² C clock input line in Configuration Mode

Legend: PWR: Power;
O: Digital output;

I: Digital input;
I/O: Digital input/output.

Technical Specifications

Absolute Maximum Ratings

Supply Voltage	$V_{SS}-0.3V \sim V_{SS}+5.5V$
Input Digital Voltage	$V_{SS}-0.3V \sim V_{DD}+0.3V$
Storage Temperature.....	$-60^{\circ}C \sim 150^{\circ}C$
Operating (Ambient) Temperature	$-40^{\circ}C \sim 85^{\circ}C$
ESD HBM	$> \pm 2kV$

Note: Devices being ESD sensitive. HBM (Human Body Mode) is based on MIL-STD-883.

D.C. Electrical Characteristics

Ta=25°C, V_{DD}=5.0V, f_{XTAL}=16MHz, OOK/FSK modulation with matching circuit, unless otherwise specified

Symbol	Parameter	Test Conditions	Min.	Typ.	Max.	Unit
T _{OP}	Operating Temperature	—	-40	—	85	°C
V _{DD}	Operating Voltage	—	2.4	5.0	5.5	V
Current Consumption						
I _{SLP}	Current Consumption, Deep Sleep Mode	—	—	0.5	—	µA
I _{RX}	Current Consumption, RX Mode	@315MHz	—	4.7	—	mA
		@433MHz	—	4.5	—	mA
		@868MHz	—	5.8	—	mA
		@915MHz	—	5.8	—	mA

RF Electrical Characteristics

Ta=25°C, V_{DD}=5.0V, f_{XTAL}=16MHz, OOK/FSK modulation with matching circuit, unless otherwise specified

Symbol	Parameter	Test Conditions	Min.	Typ.	Max.	Unit
Receiver Characteristics						
SR	Symbol Rate	—	0.5	—	40	Ksps
DR	Data Rate	—	1	—	50	Kbps
f _{DEV}	Frequency Deviation	—	4	—	25	kHz
P _{SENS}	RX Sensitivity – 315MHz (Instrument: Keysight E4438C)	DR=10kbps, BER=0.1% (@f _{DEV} =20kHz)	—	-109	—	dBm
		SR=10Ksps, BER=0.1%	—	-111	—	
	RX Sensitivity – 433.92MHz (Instrument: Keysight E4438C)	DR=10kbps, BER=0.1% (@f _{DEV} =20kHz)	—	-108	—	
		SR=10Ksps, BER=0.1%	—	-110	—	
	RX Sensitivity – 868.35MHz (Instrument: Keysight E4438C)	DR=10kbps, BER=0.1% (@f _{DEV} =20kHz)	—	-104	—	
		SR=10Ksps, BER=0.1%	—	-108	—	
	RX Sensitivity – 915MHz (Instrument: Keysight E4438C)	DR=10kbps, BER=0.1% (@f _{DEV} =20kHz)	—	-102	—	
		SR=10Ksps, BER=0.1%	—	-108	—	
Cof _{ST}	Configure Mode Settling Time (Deep Sleep to Configure Mode)	SMD3225 XO	—	2.5	—	ms
RX _{ST}	RX Mode Settling Time (Deep Sleep Mode to RX Mode Data Out)	SMD3225 XO	—	2.5	—	ms

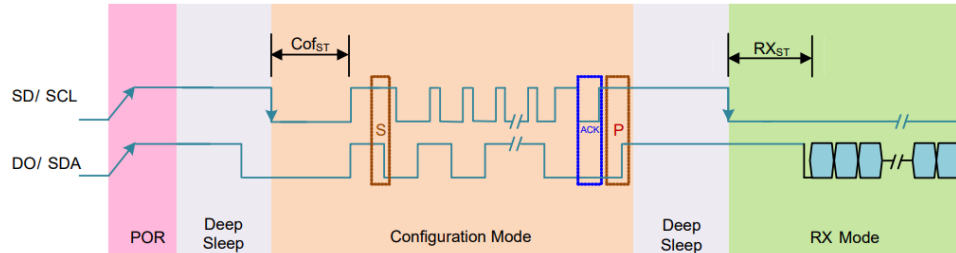
Functional Description

The BM2502-6x-2 is a Sub-1GHz FSK&OOK receiver module, it has three operation modes: deep sleep mode, configuration mode and RX mode.

In the deep sleep mode, there is less than 1μA of sleep current with internal register data retention.

For the BM2502-6x-2 when the SDA is low and a SCL falling edge occurs, the module will enter the configuration mode after a 2ms delay time. In the configuration mode, the BM2502-6x-2 will serve as an I²C slave, users can configure its internal registers using the SDA and SCL to implement RF function. The module will exit the configuration mode and return to the deep sleep mode by setting the CFOMSD bit (bit0) high of the register at 40h.

In the deep sleep, if the SCL is pulled low, the BM2502-6x-2 will enter the RX mode. In the RX mode, the module will receive RF signal and demodulate it, then output the data to the DO/SDA pin. The users can pull the SCL high to exit the RX mode and return to the deep sleep mode.



Interface

I²C Communication Format

The BM2502-6x-2 includes an I²C communication interface, which is composed of SDA and SCL lines. This interface can be used to configure and read module internal register data in configuration mode. The series of modules support the I²C format for byte write, page write, byte read and page read formats. Each data byte length on the SDA line is 8 bits, and the device address of the module is fixed at 0x25. Refer to the BC2502C/D datasheet for details.

Byte Write



Page Write



Byte Read



Page Read



Bus Direction:  : Host to device;  : Device to host;

Symbol Definitions: S: Start; RS: Repeated Start; P: Stop;

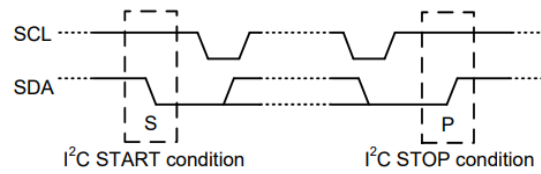
DADDR[6:0]: Device Address, 25h;

R: Read(1); W: Write(0);

RADDR[7:0]: register address;

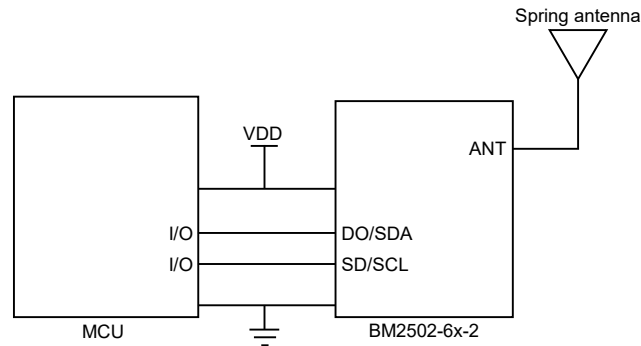
A: ACK(0); NA: NAK(1)

I²C START and STOP Conditions:

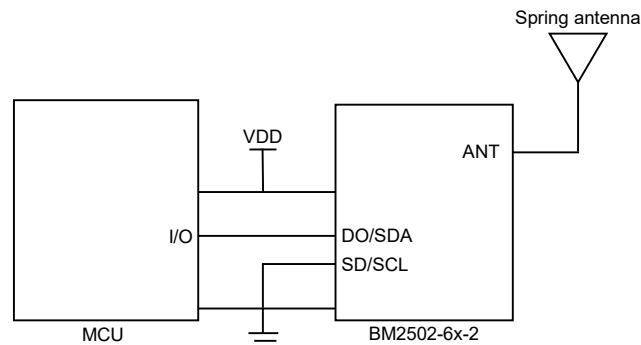


Application Circuits

I²C Mode



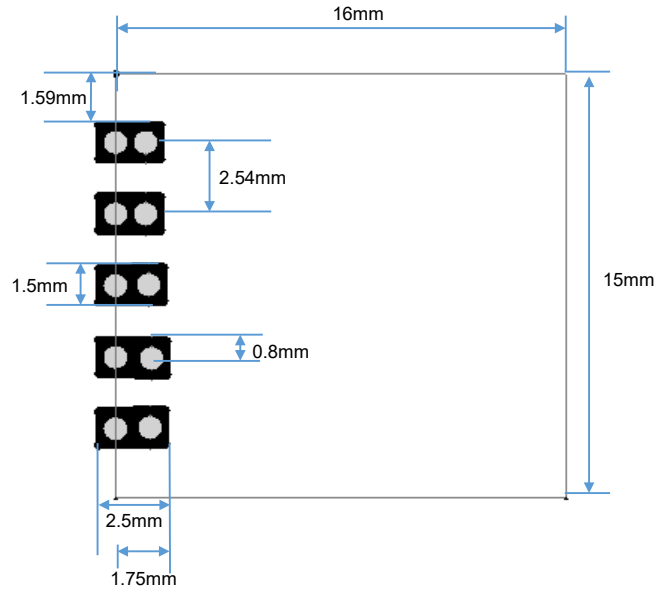
AUTO Mode



Note: In the AUTO mode, the module default modulation mode is FSK; to switch the modulation mode to OOK, a 1k resistor requires to be soldered in R3.

Layout Description

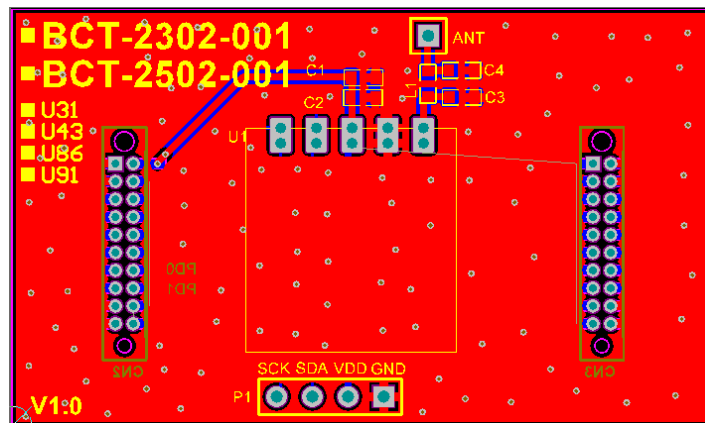
PCB Footprint



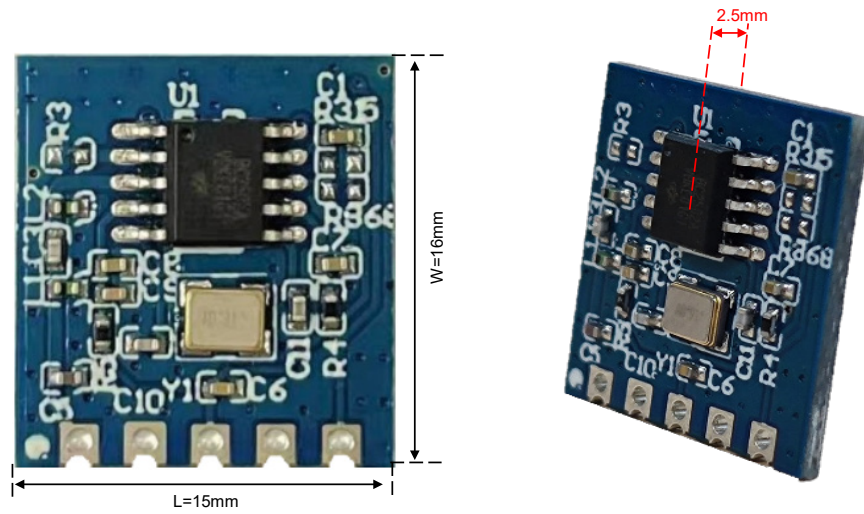
Layout Guidelines

1. Provide a stable power supply and add appropriate filter capacitors;
2. Stay away from the DC-DC circuits as much as possible;
3. Reserve a π type matching circuit for the antenna.

Layout Example



Dimensions



Reference Information

Modification History

Data	Author	Issue	Modification Information
2023.04.21	Zahi	V1.00	First Version

Relevant Document

BC2502 Example Program Description Document

Buy Online

[Best Modules](#)

Copyright© 2024 by BEST MODULES CORP. All Rights Reserved.

The information provided in this document has been produced with reasonable care and attention before publication, however, BEST MODULES does not guarantee that the information is completely accurate. The information contained in this publication is provided for reference only and may be superseded by updates. BEST MODULES disclaims any expressed, implied or statutory warranties, including but not limited to suitability for commercialization, satisfactory quality, specifications, characteristics, functions, fitness for a particular purpose, and non-infringement of any third-party's rights. BEST MODULES disclaims all liability arising from the information and its application. In addition, BEST MODULES does not recommend the use of BEST MODULES' products where there is a risk of personal hazard due to malfunction or other reasons. BEST MODULES hereby declares that it does not authorize the use of these products in life-saving, life-sustaining or safety critical components. Any use of BEST MODULES' products in life-saving/sustaining or safety applications is entirely at the buyer's risk, and the buyer agrees to defend, indemnify and hold BEST MODULES harmless from any damages, claims, suits, or expenses resulting from such use. The information provided in this document, including but not limited to the content, data, examples, materials, graphs, and trademarks, is the intellectual property of BEST MODULES (and its licensors, where applicable) and is protected by copyright law and other intellectual property laws. No license, express or implied, to any intellectual property right, is granted by BEST MODULES herein. BEST MODULES reserves the right to revise the information described in the document at any time without prior notice. For the latest information, please contact us.